



HAVELLS

Turboforce Pedestal & Wall Air Circulators



Features

- Aerodynamically designed blades for high air delivery
- Dynamic balancing of blade
- Double 'Z' (shielded) ball bearings for long life
- Adjustable height for pedestal models
- Wall models are indexable to different position upto 15 degrees
- Oscillation up to 90 degrees for total flexibility
- Sturdy brazed wire guards with powder coating leading to corrosion resistance
- Minimal power consumption
- Generally conforming to IS: 2997-1964 standards

www.havells.com
E-mail: marketing@havells.com

buy online**
at shop.havells.com
**Online shopping is applicable on select products.

 /havells

 /havellsindia

 /havellsindia

 /havells__india



**HAVELLS
CONNECT**

Toll Free No.: 1800 11 0303 (Toll Free)
011-4166 0303 (Landline)
1800 103 1313 (All Connections)

Turboforce

Air Circulators

Technical Specifications:

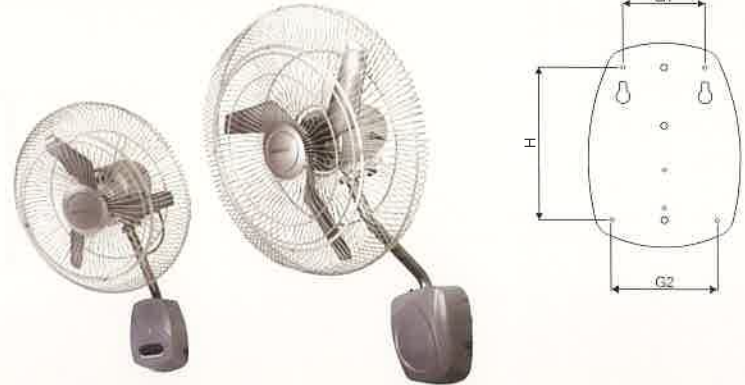
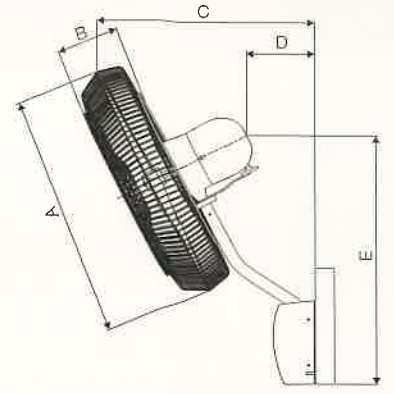
Sweep	Volts (V)	Frequency (Hz)	Power Consumption	Speed RPM	Phase	Air Del. M ³ /min.	No. of blades	No. of Speeds	Noise Level DB
450 mm (18") Wall	230	50	100W	1440	1	150	3	3	62
450 mm (18") Pedestal	230	50	100W	1440	1	150	3	3	62
600 mm (24") Wall	230	50	180W	1440	1	280	3	1	72
600 mm (24") Pedestal	230	50	180W	1440	1	280	3	1	72
750 mm (30") Wall	230	50	235W	1400	1	300	3	1	75
750 mm (30") Pedestal	230	50	235W	1400	1	300	3	1	75

*Air delivery measurement taken at a distance of 6 times blade sweep from the fan.

Built-in regulator available only for 450 mm sweep.
Conforming to IS: 2997-1964.

Tolerance on ratings	(As per IS 2997-1964)
Speed	-10%
Power	+10%
Air Delivery	-10%

Note: Design/Specifications may vary without notice due to continuous technology up-gradation.



Turboforce

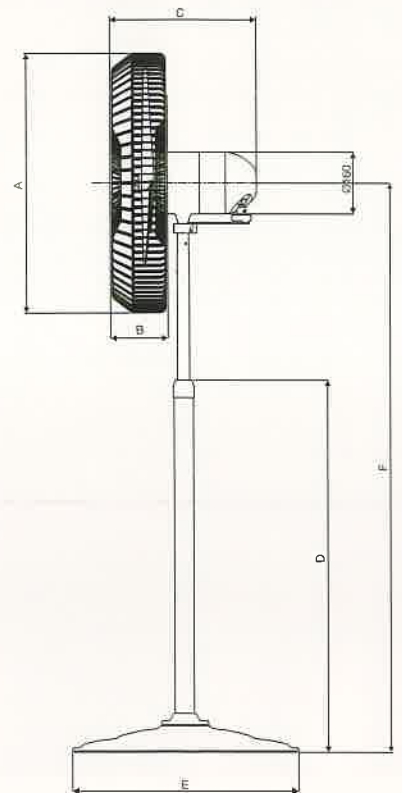
Air Circulators

Dimensional Specifications (mm) - Wall:

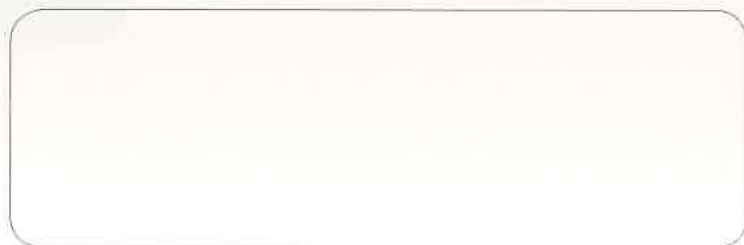
Size (Sweep)	A	B	C	D	E	G1	G2	H
450	500	145	590	200	565	84	108	157
600	670	166	585	185	680	150	120	170
750	840	176	660	185	680	150	120	170

Dimensional Specifications (mm) - Pedestal:

Size (Sweep)	A	B	C	D	E	F	
						Min.	Max.
450	500	145	365	785	450	1290	1430
600	670	166	390	1150	585	1340	1650
750	840	176	412	1150	705	1340	1650



080118/V3





HAVELLS

Turboforce Heavy Duty Exhaust Fans



Features

- Corrosion less body & maintenance free design
- Totally enclosed, highly efficient heavy duty motor with pressure die cast aluminium rotor mounted on double ball bearings
- Aerodynamically contoured blades to handle maximum air delivery with minimum power consumption
- Rigid frame with rubber mountings for silent operation
- Available with chlorinated rubber paints for corrosive environment
- Conforming to IS: 2312 - 1967

www.havells.com
E-mail: marketing@havells.com

buy online**
at shop.havells.com
**Online shipping is applicable on select products.



**HAVELLS
CONNECT**

Toll Free No.: 1800 11 0303 (Toll Free)
011-4166 0303 (Landline)
1800 103 1313 (All Connections)

Conditions apply

Turboforce

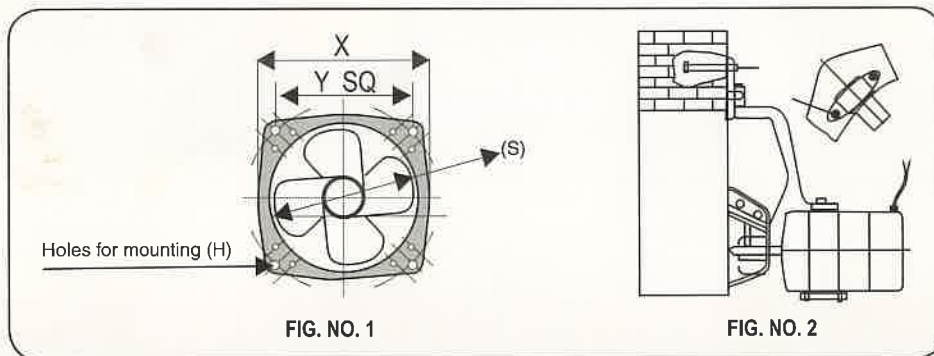
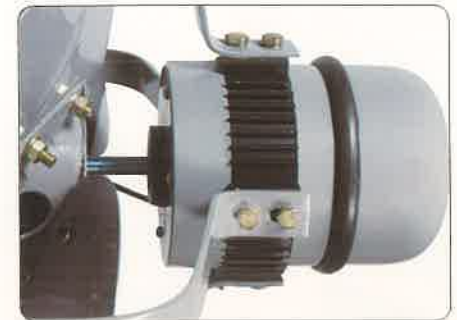
Heavy Duty Exhaust Fans

Technical Specifications:

Sweep (mm)	Phase	Speed (RPM)	Input (Watt)	Current (AMP)	Free air flow (M ³ /hr)	Noise Level (db)
300	Single	900	55	0.26	1275	50-55
		1400	90	0.43	1950	60-65
380	Single	900	100	0.48	2250	55-60
		1400	166	0.77	3700	65-70
450	Single	900	145	0.7	4400	60-65
		1400	410	1.98	6200	75-80
600	Single	900	850	2.65	10520	70-75
380	Three	1400	170	0.4	3700	65-70
450	Three	1400	370	0.82	6800	75-80
600	Three	900	500	0.95	10520	70-75

Tolerance on ratings (As per IS 2312-1967)
 Speed -5% to +10%
 Power +10%
 Air Delivery -10%

At 230 Volts, 1 Phase, 50 Hz AC
 or 400 Volts, 3 Phase, 50 Hz AC



Dimensional Specifications:

Dimensions (in mm)	Ø H mm	X mm	YSQ mm	Ø S mm
300 MM H.D. Exhaust Fan	7.7 mm	388 mm	310 mm	322 mm
380 MM H.D. Exhaust Fan	10.5 mm	462 mm	373 mm	401 mm
450 MM H.D. Exhaust Fan	10.5 mm	550 mm	442 mm	483 mm
600 MM H.D. Exhaust Fan	10.5 mm	718 mm	603 mm	635 mm

IP 55 Protected

Dust Proof & Water Resistant

IS:2312-1967



CM/L-3062441

For 300 mm, 380 mm, 450 mm, 600 mm*

* 300/380/450 mm in 1400 RPM & 600 mm in 900 RPM

